

Self Contained Ice Machine up to 160 Kg



Features

- Produces granular shape ice flakes, 80% hardness
- Up to 160 kg (352 lbs) daily production
- Up to 60 kg (132 lbs) ice storage capacity
- Ice scoop holder safely positioned in ice-storage bin
- Resistant stainless steel exterior
- Advanced diagnostics computerized control
- Front panel in & out airflow (air-cooled model only) for built-in installation
- Front access condenser air filter, removable and washable (air cooled version only)
- Easily accessible, front panel mount, ON-OFF Switch
- Easy, front panel access to technical / service area of the machine
- Routine Maintenance visible alarm light on front panel
- Ergonomically designed ice storage access, with disappearing door
- Door-closing movement dampening system
- Vapor-based microbial control system pouch in ice storage area
- Optional PWD System for remote water drain (easy-fit installation)
- AgION antimicrobial agent embedded in molded plastics parts
- CFC-free R-404A Refrigerant
- 2 years manufacturer warranty on defective components

Easy bin access



Hygienic scoop holder



Proximity condenser air filter

Routine Maintenance Alarm



Front ON-OFF Switch



Electronic



AF 156 Technologies



	Compressor	10°: 10°C		21°: 15°C		[kg] [lbs]		[kg] [lbs]	[WxDxH mm] 950x605x1006
		[kg]	[lbs]	[kg]	[lbs]	[kg]	[lbs]		
AF 156 AS		150	330,5	145	319,5	60	132		
AF 156 WS		160	352,5	150	330,5	60	132		

	[WxDxH inches] 37 3/8" x 23 13/16" x 39 5/8"
	[v/Hz/ph] 230/50/1
	R404A

This product qualifies for the following listings:



2 Years Warranty

Subject to certain limitations and exclusions

Flake Ice
Residual water content 20%



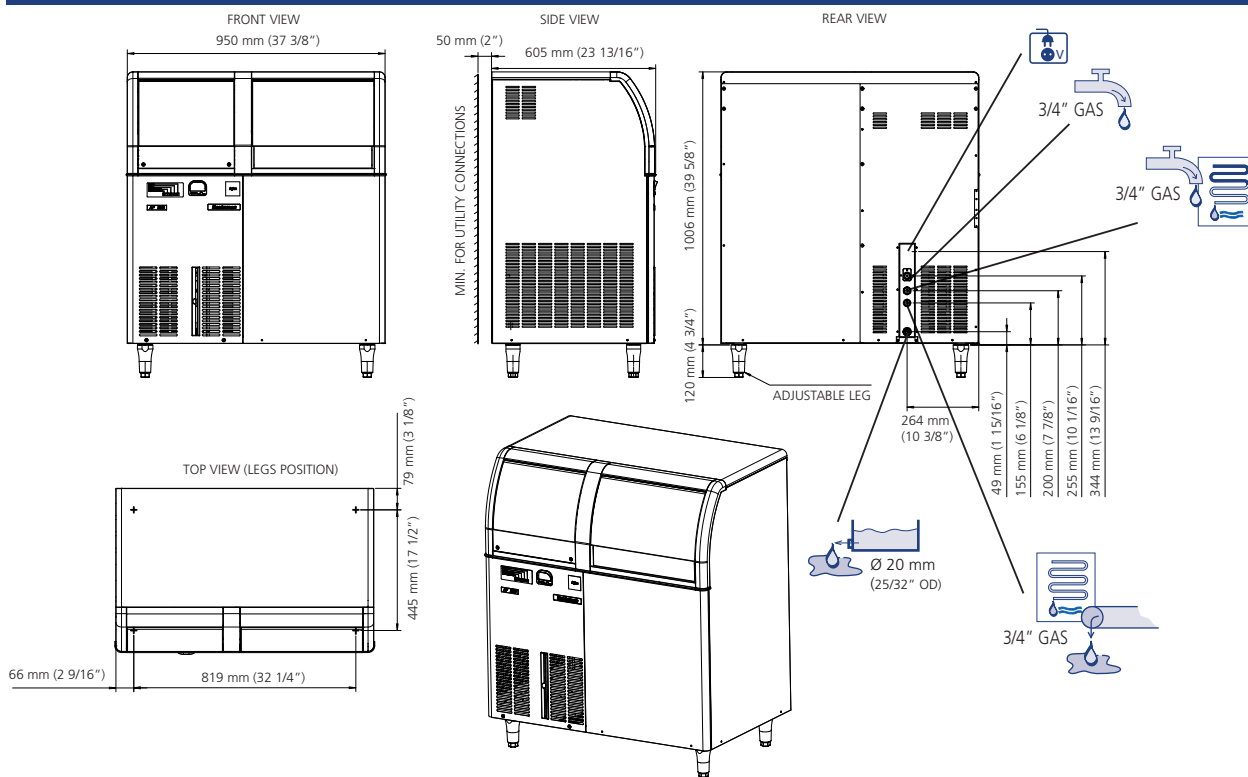
Ice in its most natural form, made at a temperature just below zero degrees Celsius, contains 20% residual water content, making it very moist. Its flake shape makes it extremely versatile and very simple to use effectively.

Certified ISO 9001:2000

www.scotsman-ice.it
www.scotsman-ice.com

Models and specifications are subject to change without notice.

Self Contained Ice Machine up to 160 Kg



AF 156 AIR COOLED

°C \ °F	°C				kg
	50°	60°	70°	90°	
10°	150	147	144	138	kg
50°	330,5	324	317,5	304	lbs
21°	148	145	142	136	kg
70°	326	319,5	313	299,5	lbs
32°	126	123	120	114	kg
90°	277,5	271	264,5	251,5	lbs
38°	112	109	106	100	kg
100	247	240	233,5	220,5	lbs

AF 156 WATER COOLED

°C \ °F	°C				kg
	10°	15°	21°	32°	
10°	160	154	148	136	kg
50°	352,5	339,5	326	299,5	lbs
21°	156	150	144	132	kg
70°	344	330,5	317,5	291	lbs
32°	152	146	140	128	kg
90°	335	312	308,5	282	lbs
38°	149	143	137	125	kg
100	328,5	315	302	275,5	lbs

Minimum	Maximum
10°C (50°F)	40°C (104°F)
5°C (41°F)	35°C (95°F)
-10%	+10%
1 BAR 14 psi	5 BAR 70 psi

Model	Compressor	Capacity [Btu/h] [W]	Condenser [Ømm ²] [W]	FUSE	Power [kWh] - 100 Kg	Water [l/h] [gal/h]	Weight [kg] [lbs]
AF 156 AS	Air Cooled	4845 1420	1,5 650	10	12,3	5 1,3	75 165
AF 156 WS	Water Cooled	4845 1420	1,5 510	10	9	76 20	75 165

CONTACT POINTS:

Europe
Scotsman Europe-Frimont S.p.A.
Via Puccini, 22
20010 Pogliano (Milano) Italy
Ph: (+39) 02-93960208
Fax: (+39) 02-93960201
scotsman.europe@frimont.it

Asia and Pacific
Scotsman Ice Systems
Frimont S.p.A. (R.O.)
1 Commonwealth Lane #09-22
One Commonwealth
Singapore 149544
Ph: (+65) 6738 5393
Fax: (+65) 6738 1959
scotsman@scotsman.sg

China
Scotsman Ice Systems (Shanghai)
Room 2503, Building 2
20 XuHong Middle Road, Xuhui District
Shanghai China 200235
Main line: (+86) 21 61313200
Fax: (+86) 21 61313330
scotsman.shanghai@scotsman-china.com

Middle East & N. Africa
Scotsman-Frimont Regional Office (ME&A)
POBox: 42026, HFZA Sharjah, UAE
Ph: (+97)16 5262 944-16 5262 945
Fax: (+97)165262946
Mob. Ph: (+97)1505505980
Skype: mdawood331393
m.dawood@frimont.ae
fernando.m@frimont.ae

South Africa
Scotsman SA (Pty) Ltd - Ice Systems (Pty) Ltd
P.O. Box 44 - Riverclub - 2149
Lakeview Business Park
Unit 4, 8 - 10 Yaldwyn Road - Jetpark, Boksburg
Ph: (+27)010 590 0609
(+27)087 720 0245 / 6 / 7 / 8
Fax: (+27) 11 826 4123 - (+27) 086 634 0803
jennifer@scotsmansa.co.za

Spain
Scotsman España, S.L.U. c/ Galapagar, 12
Poligono Industrial Ventorro del Cano
28925 Alcorcon (Madrid)
Ph: (+34)91-1109796
Fax: (+34)91-6337423
scotsman@scotsman-espana.es
www.scotsman-espana.es